

SECTION 11110

LAUNDRY WASHER-EXTRACTOR, 255 LB. (110 KG) CAPACITY

PART 1 GENERAL

1.01 SECTION INCLUDES:

- A. Freestanding automatic laundry washer-extractor for processing water-washed linen items

1.02 SYSTEM DESCRIPTION

A. DESIGN REQUIREMENTS:

- 1. Construction: 304 or equal stainless steel cylinder, tub, front & top panels
- 2. Input voltage: 208-240/60/3
- 3. Dry weight capacity: 255 lb. (110 kg)
- 4. Wash cylinder volume: 38.9 cu ft (1,102,000 cu cm) minimum
- 5. Overall width: 69.7 inches (1770 mm) nominal
- 6. Overall height: 81.4 inches (2055 mm) nominal
- 7. Overall depth: 76.3 inches (1900 mm) nominal
- 8. Number & size of water supply inlet valves: [2] at 2 inch (51 mm)
- 9. Number & size of drain outlets: 5 inch (127 mm)
- 10. Overflow: Internally plumbed
- 11. Control system: Programmable microprocessor
- 12. Cylinder drive: Single motor, 25 hp, capable of 720 RPM maximum, using a rotation sensor to monitor performance

B. PERFORMANCE REQUIREMENTS:

- 1. Number of selectable cylinder speeds: 5
- 2. G-force at highest extract speed: 380 G's
- 3. Chemical supply system
 - a. Side mounted dispenser with 5 independently controlled dry supply compartments
 - b. automatic flushing & connections for 5 external supply lines & control signals for 5 external supplies
- 4. 6 programmable infinite water levels
- 5. Control system
 - a. Programmable microprocessor
 - b. 79 cycle capacity
 - c. Capable of precise temperature controlled fills
 - d. Thermal cooldown
 - e. Overnight soak
- 6. Drain valve automatically open in event of power failure

1.03 DELIVERY, STORAGE & HANDLING

A. ACCEPTANCE AT SITE:

1. Inspect machine for damage prior to acceptance. If damage is found, follow freight handler's procedure for claims.

B. STORAGE & PROTECTION

1. Machine should be stored in a site protected from weather, direct sunlight & temperature extremes. Do not remove packaging prior to storage.
2. If machine is to be stored for an extended period of time, consult manufacturer for special requirements.

1.04 SYSTEM STARTUP & COMMISSIONING

- A. Machine installation should be inspected by local manufacturer's representative prior to startup & operation. The party installing the machine is responsible for setting the schedule for this inspection.

PART 2 PRODUCTS

- A. Source quality
- B. Alliance Laundry Systems LLC - UniMac, obtain commercial laundry equipment from a single manufacturer

1.02 QUALIFIED MODELS

- A. UniMac model **UVN255** (no substitutions)

PART 3 EXECUTION

1.01 INSTALLATION

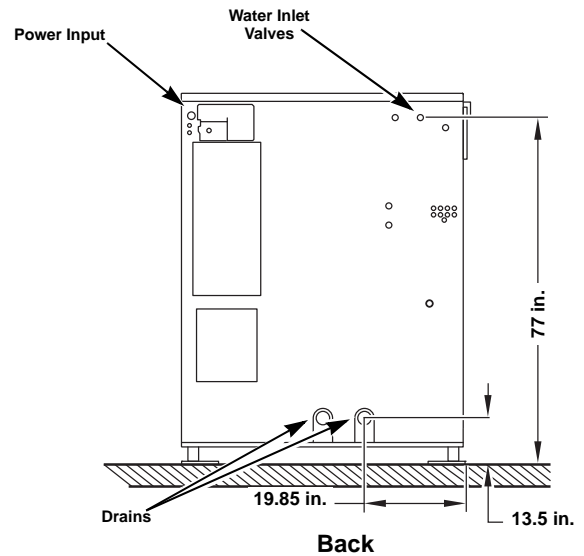
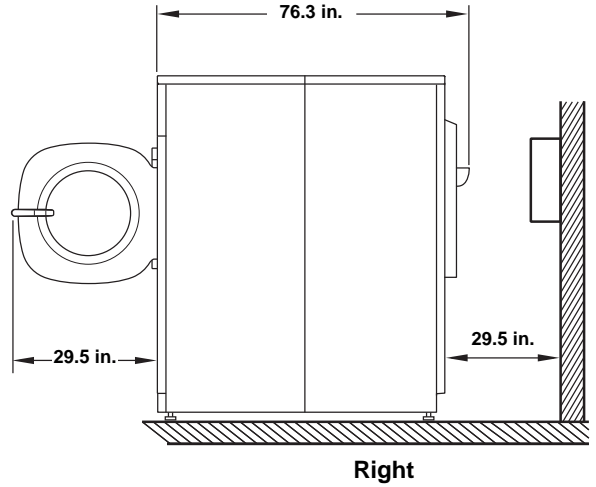
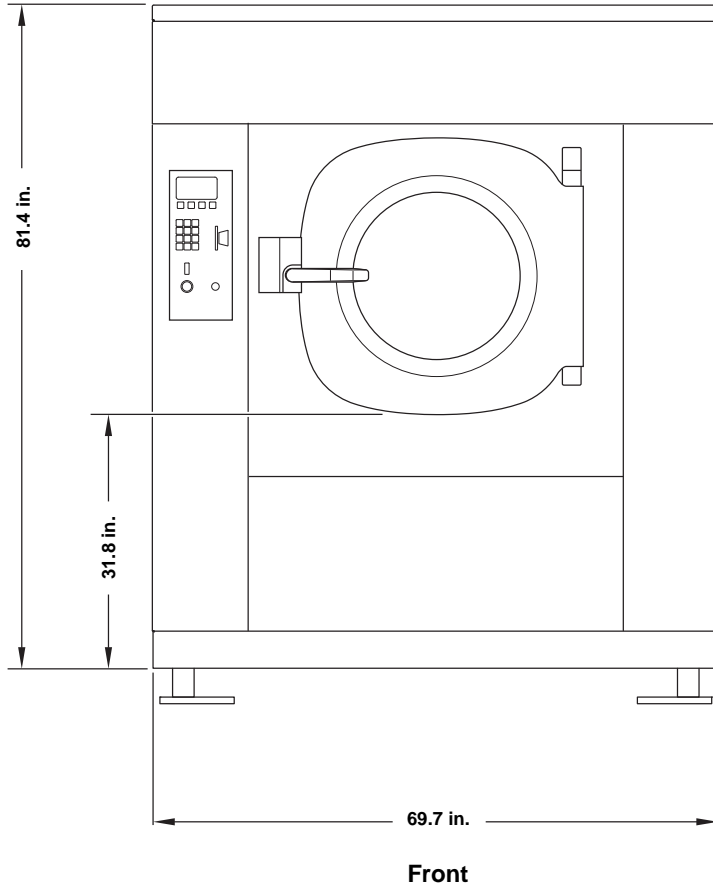
- A. Refer to & comply with manufacturer's installation instructions, document number 9001000. Do not deviate without permission from site owner, architect, general contractor & manufacturer's local representative.

Machine Dimensions and Specifications

Models UVN255PVQU1 and UVN255PVRU1 (Standard)



Dimensions and Foundation Requirements



CFD550N

Electrical Specifications

Voltage Designation					Non-Electric Heat Machines (Standard)			
Code	Voltage	Cycle	Phase	Wire	Full Load Amps	Breaker (Non Fused)	AWG	mm ²
Q	208-240	50/60	3	3+PE	30.5	40	8	8
R	440-480	50/60	3	3+PE	14.4	20	6	10

Water, Drain and Weight Specifications

Drain: Number (Size)	2 (5 in.)
Fill Water Inlets: Number (Size)	3 (2 in.)
Weight: Machine (With Shipping Packaging)	8566 lbs. (9056 lbs.)
Side Clearance:	27.6 in.